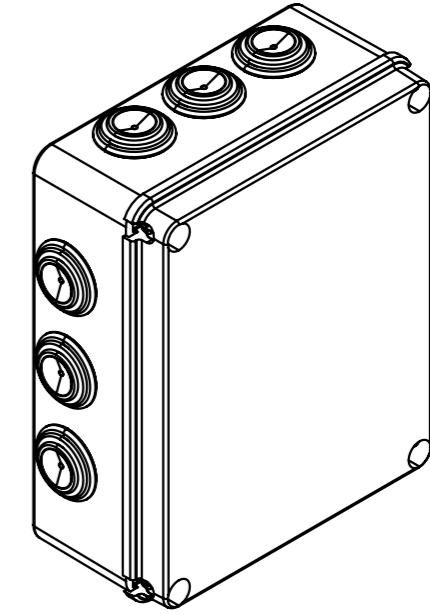
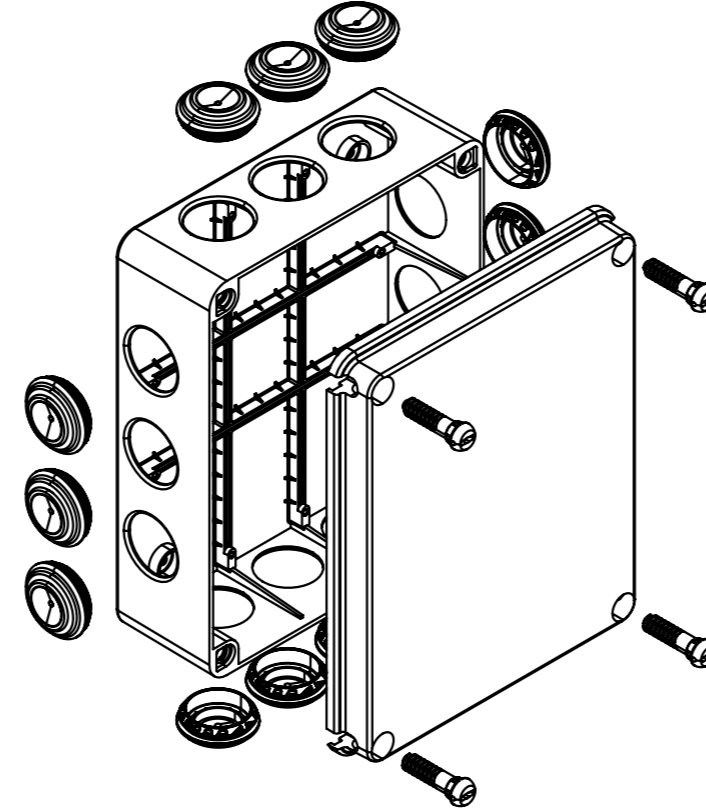


A-A



| GENEL TOLERANSLAR<br>DIN 7168 | ÖLÇÜ<br>TOLERANS | >0-6<br>±0.1 | >6-30<br>±0.2 | >30-120<br>±0.3 | >120-315<br>±0.5 | >315-1000<br>±0.8 | >1000-2000<br>±1.2 |
|-------------------------------|------------------|--------------|---------------|-----------------|------------------|-------------------|--------------------|
|-------------------------------|------------------|--------------|---------------|-----------------|------------------|-------------------|--------------------|

| MALZEME / Material   | KALINLIK / Thickness      | AĞIRLIK / Weight                                       | YÜZEY ALANI / Surface Area | FİNAL / Finish |
|----------------------|---------------------------|--|----------------------------|----------------|
| ABS                  | mm                        | 0.6195 Kg  | 521016.7197 m <sup>2</sup> | -              |
| ÇİZEN / Designed by  | İSİM / Name               | TARİH / Date   | İMZA / Signature           |                |
| KONTROL / Checked by | Fuat ATASOY               | 15.11.2022   |                            |                |
| ONAY / Approval      | Fuat ATASOY               | 15.11.2022   |                            |                |
| ÖLÇEK / Scale        | REŞİM NO / DRAWING NUMBER | TANIM / DESCRIPTION                                    |                            |                |
| 1:4                  | ÇP 1153                   | SIVA ÜSTÜ BUAT (TIPALI)<br>(ŞEFFAF KAPAKLI) 250X200X90 |                            |                |

