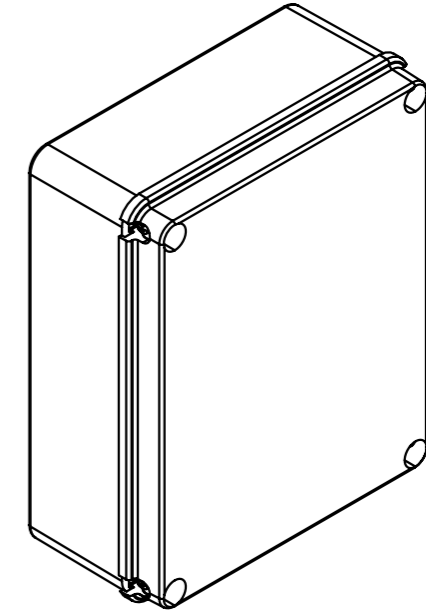
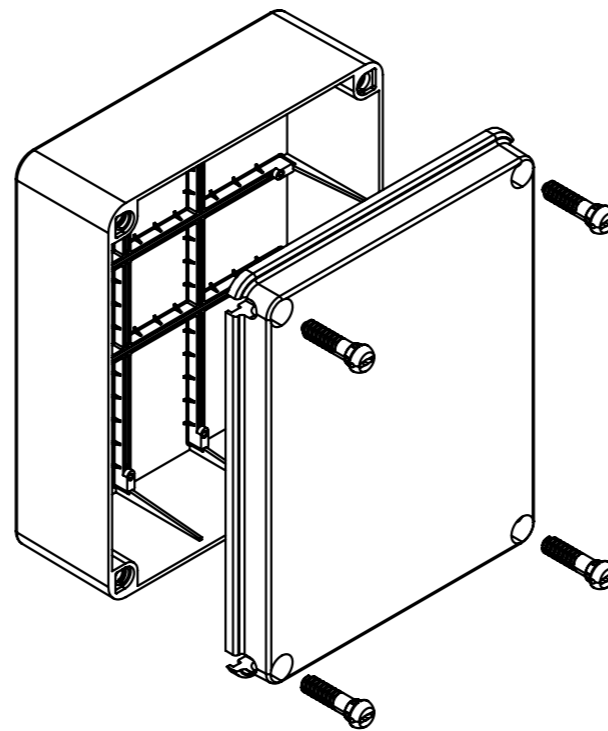


A-A



GENEL TOLERANSLAR DIN 7168	ÖLÇÜ TOLERANS	>0-6 ±0.1	>6-30 ±0.2	>30-120 ±0.3	>120-315 ±0.5	>315-1000 ±0.8	>1000-2000 ±1.2
-------------------------------	------------------	--------------	---------------	-----------------	------------------	-------------------	--------------------

MALZEME / Material	KALINLIK / Thickness	AĞIRLIK / Weight	YÜZEY ALANI / Surface Area	FİNAL / Finish
ABS	mm	0.5934 Kg	456179.6313 m ²	-
ÇİZEN / Designed by	İSİM / Name	TARİH / Date	İMZA / Signature	
KONTROL / Checked by	Fuat ATASOY	08.11.2022		
ONAY / Approval	Fuat ATASOY	08.11.2022		
ÖLÇEK / Scale	REŞİM NO / DRAWING NUMBER		TANIM / DESCRIPTION	
1:4	ÇP 1043		SIVA ÜSTÜ BUAT (DÜZ YÜZEYLİ) (OPAK KAPAKLI) 250X200X90	

